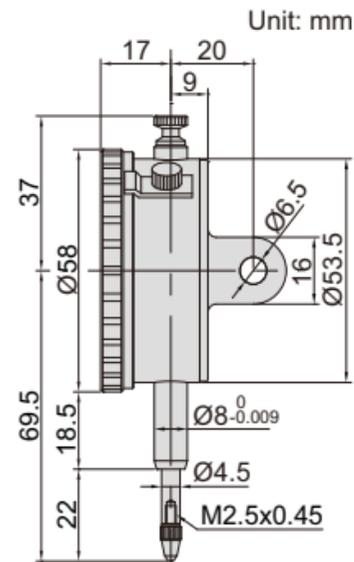


# DIAL INDICATORS (BASIC TYPE)

- Meet DIN878
- Jeweled bearing
- Supplied with limit hands and bezel clamp
- Packed in carton box
- Optional accessory: backs (page 167~168), contact points (page 164~166)



**2301-10**



| Code              | Range | Graduation | Accuracy   | Hysteresis | Range/rev | Dial reading | Remark                        |
|-------------------|-------|------------|------------|------------|-----------|--------------|-------------------------------|
| <b>2301-10F *</b> | 10mm  | 0.01mm     | 17 $\mu$ m | 3 $\mu$ m  | 1mm       | 0-100        | flat back                     |
| <b>2301-10 *</b>  | 10mm  | 0.01mm     | 17 $\mu$ m | 3 $\mu$ m  | 1mm       | 0-100        | lug back with spare flat back |

\* Supplied with manufacturer inspection certificate traceable to NIST USA